

Lightning Protection

GAS CAPSULE ARRESTORS

A gas-filled capsule is inserted between the center and outer contacts of a coaxial adapter. Generally, a spark-over arises if surge voltages exceed the electric strength of a system's insulation. This discharge limits the surge voltage and reduces interference energy in a short period of time. The resulting ignited arc with its high current handling capability prevents any further rise in surge voltage due to its approximately constant, low arc voltage of around 10V. This is the principle if surge voltages are limited by using gas-filled inserts.

- **Excellent broadband frequency application**
- **Field-replaceable gas discharge capsule**
- **Low VSWR up to 2.5 GHz**
- **Discharge current of 20 kA**
- **Different capsules (spark-over voltage) are available depending on the power rating.**



SPECIFICATIONS

Gas Capsule Arrestors*

(Gas Capsules sold separately – specify per table below)

Narda Model Number	Connector	Frequency (MHz)	Insertion Loss (dB max)	VSWR (max)	Average Power** (max W)
N53BK50100	N	0-2000	0.2	(0-1) 1.06 (1-2) 1.35	180
N60BK55100	7/16	0-2000	0.2	(0-1) 1.06 (1-2) 1.35	180

NOTES:

*These Gas Capsule Arrestors are not supplied with Gas Capsules. Gas Capsules must be ordered separately (see table below).

**Average Power is into an optimized load VSWR

Temperature Range: -65°C to +125°C

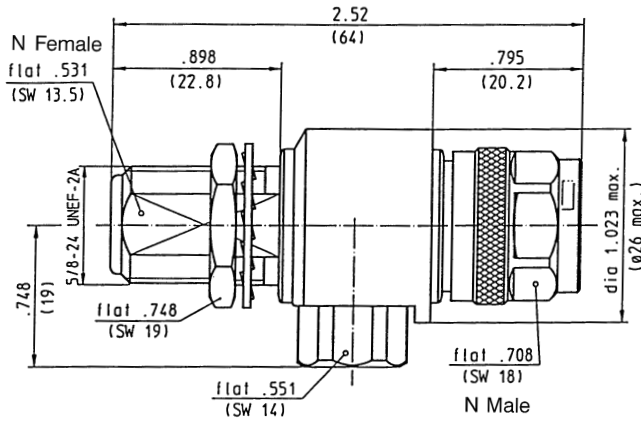
Gas Capsules

Narda Model Number	DC Spark Over Voltage
N53ZB01090	90 V
N53ZB01230	230 V
N53ZB01350	350 V
N53ZB01600	600 V

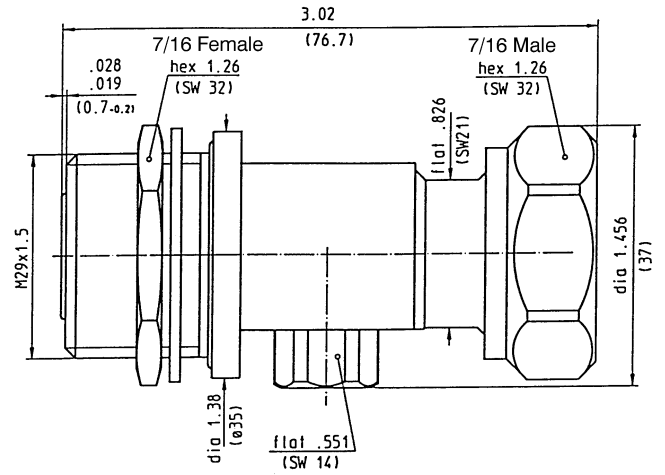


Lightning Protection

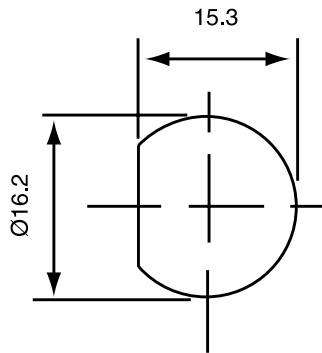
GAS CAPSULE ARRESTORS



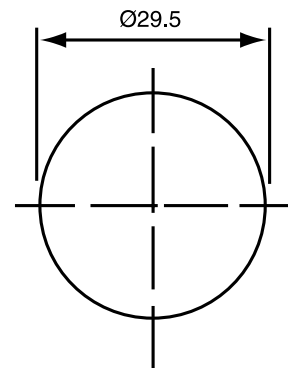
Model No. N53BK50100



Model No. N60BK55100



Type N Connector
Mounting Hole

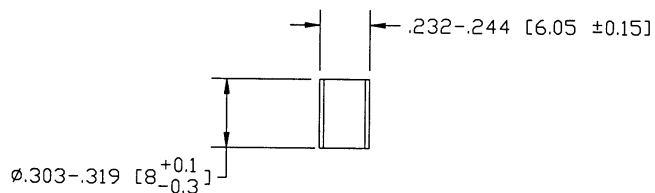


7/16 Connector
Mounting Hole

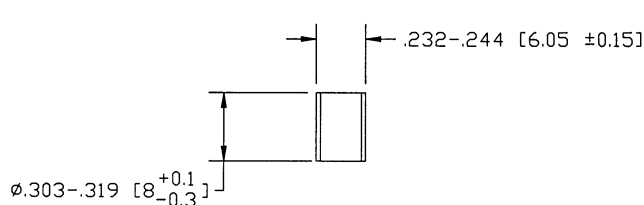
Lightning Protection

GAS CAPSULES

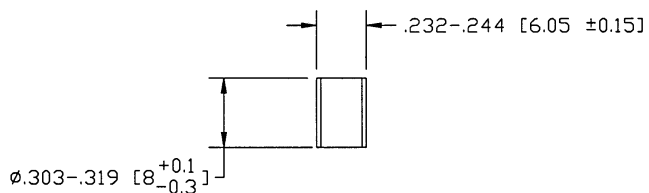
Model	NOM DC Spark Over Voltage	Impulse Spark Over Voltage at 1kV/Microseconds
N53ZB01090	90	600
N53ZB01230	230	600
N53ZB01350	350	600
N53ZB01600	600	600



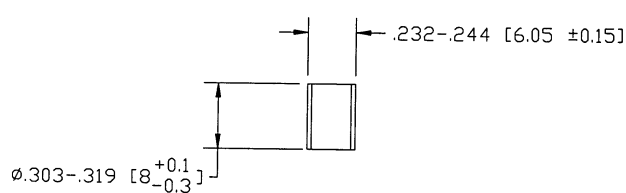
Model No. N53ZB01090



Model No. N53ZB01230



Model No. N53ZB01350



Model No. N53ZB01600